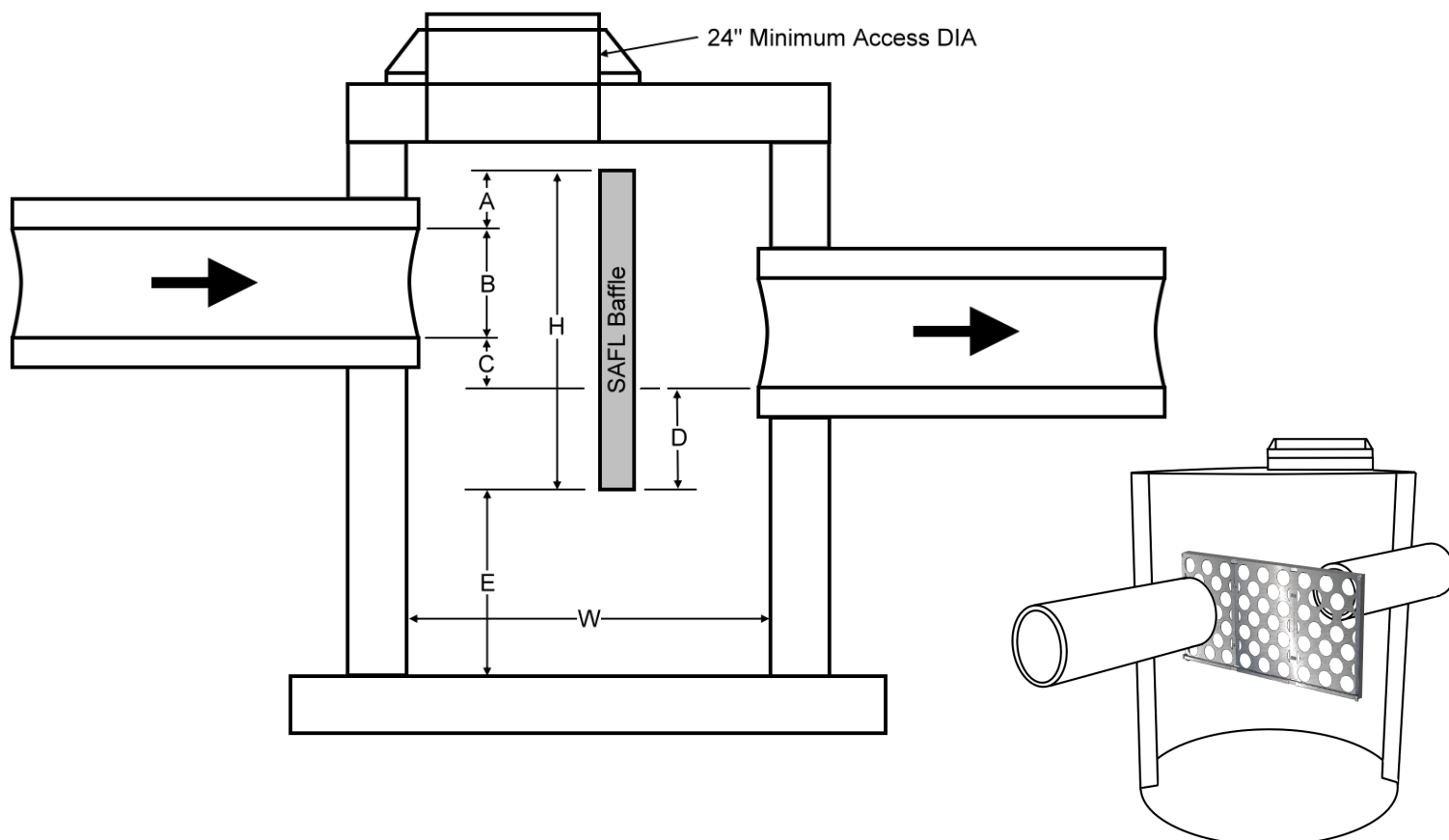


# SAFL BAFFLE SIZING REQUIREMENTS



A	0 to 6" 6" is ideal
B	Inlet pipe inside diameter
C	0 to 6" 0" is ideal
D	12"
E	36" Minimum. 48" or greater is ideal and results in less frequent sump cleanout
W	W = Sump diameter if round or width if rectangular
H	Baffle height = A + B + C + D
Purchase Baffle Size	W x H View the complete list of <a href="#">Available Baffle Sizes</a>
	Also see: <a href="#">Bracing Guide</a> & <a href="#">Stacking Guide</a>
NOTE 1	If H is greater than 57" two SAFL Baffles may be stacked.
NOTE 2	75% of flow must be horizontal. No more than 25% falling from above
NOTE 3	This detail does not cover sizing the sump for sediment removal efficiency. Contact Upstream for sump sizing or use <a href="#">SHSAM Software</a>
NOTE 4	For more information, see our <a href="#">Design Guide</a>

PATENT PROTECTED Patents: US #8663466B2 - US #8715507B2 - US #9506237B2 - CA #2742207

This generic detail does not encompass the sizing, fit, and applicability of the SAFL Baffle for this specific project. It is the ultimate responsibility of the design engineer to assure that the design is in compliance with all applicable laws and regulations. The SAFL Baffle is a patented technology of Upstream Technologies, Inc. Upstream Technologies does not approve plans, sizing, or system designs.

## SAFL BAFFLE SIZING DETAIL

UPSTREAM TECHNOLOGIES INC.  
5201 EAST RIVER ROAD, SUITE 303  
FRIDLEY, MN 55421  
651-237-5123

